

REPLACES ALL PREVIOUS PRICE SHEETS

V E N T I L A T O R S & L O U V R E S

HC PRODUCTS LOUVRES AND VENTS

ALUMINUM LOUVRES

MILL FINISH

	Opening Size		Net	Nominal	<u>PRICE EACH</u>
	<u>Width</u>	<u>Height</u>	<u>Free Area</u>	<u>Size</u>	
4121-001-0812	8-1/2"	X 12-1/4"	44.4 Sq. In.	8 x 12	2.00
4121-001-0816	8-1/2"	X 16-3/4"	60.0 Sq. In.	8 x 16	2.50
4121-001-1424	14-5/8"	X 24-5/8"	172.0 Sq. In.	14 x 24	6.00
4121-001-1824	18-5/8"	X 24-5/8"	234.0 Sq. In.	18 x 24	7.50

AIR HAWK ALUMINUM ROOF LOUVRE

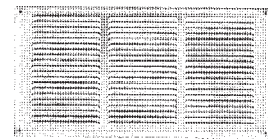
	Model	Net Free	Per Each	<u>PRICE EACH</u>
	<u>Number</u>	<u>Area</u>		
4121-008-0908	09-08-08-06	64 Sq.In		4.00

LEIGH PRODUCTS

UNDER EAVES VENTILATORS

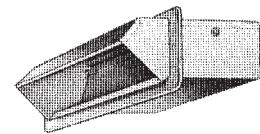
PER EACH

4123-622-1640	#622 - 16 x 4 With 8 Mesh Screen	.80
	Aluminum Finish - 22.2 Sq.In. Free Area	
	Will Ventilate 46 Sq.Ft.	
4123-622-1680	#622 - 16 x 8 With 8 Mesh Screen	1.00
	Aluminum Finish - 55.6 Sq.In. Free Area	
	Will Ventilate 116 Sq.Ft.	



ACME WALL CAP LOUVRES

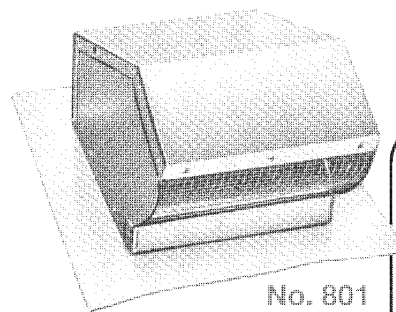
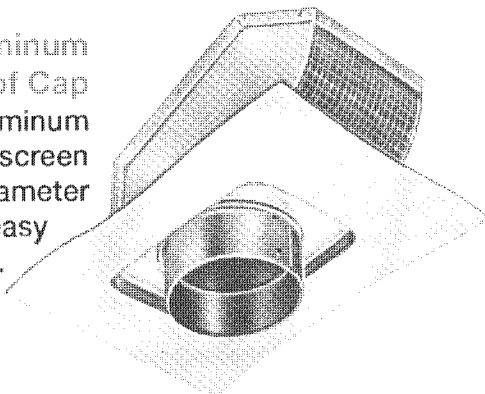
4123-500-5865	#310 - 3-1/4" x 10" Alum. Wall Cap	10.44
---------------	------------------------------------	-------



ROOF JACKS - Includes Screen and Damper

4123-510-0800	#800 Aluminum Roof Cap with 4" Flange	15.26
4123-510-0801	#801 Aluminum Roof Cap 7" Opening	21.10

No. 800 Aluminum Roof Cap
Mill finish aluminum with damper, screen and 4" diameter collar for easy connection.



No. 801 Aluminum Roof Cap

Mill finish aluminum with damper and screen for duct up to 7" round.

