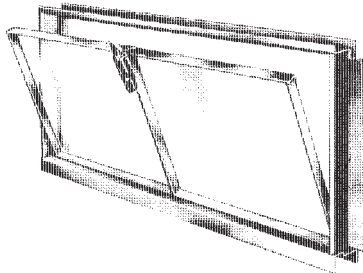


REPLACES ALL PREVIOUS PRICE SHEETS

KEWANEE BASEMENT WINDOW ILLUSTRATIONS

**KEWANEE BAF Frame
Shown with Open-In Vent**

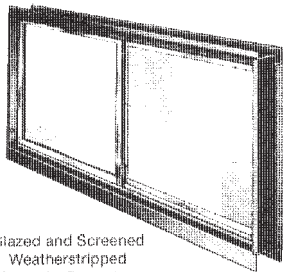


Overall Dimensions

- BAF 12 - 33-1/8" x 14" - 8" Wall
- BAF 16 - 33-1/8" x 18" - 8" Wall
- BAF 20 - 33-1/8" x 22" - 8" Wall

BAF Frame

With Aluminum Slide Vent

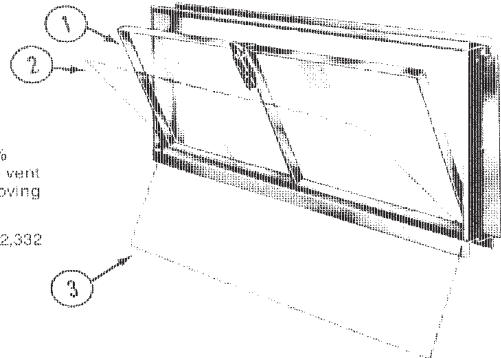


Glazed and Screened
Weatherstripped
Smooth, Operating

3 positions of opening

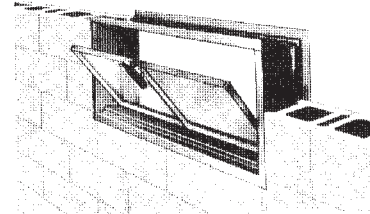
All Kewanee Open-in Vents have a patented hinge bracket allowing 3 positions of opening for the desired amount of ventilation. The 3rd position allows 100% ventilation. Both sides of the vent can be cleaned without removing the vent.

U.S. Patents 3,196,497 3,302,332



KEWANEE BASEMENT BLOCK BUCK WINDOW

BBUF Frame with Aluminum Open-In Vent Shown



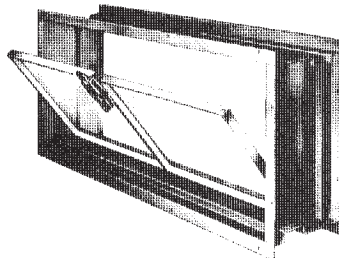
**Shown With Glazed Aluminum
Open-in Vent**

- U.S. Patents 3,196,497 3,302,332
- THREE POSITION VENTILATION
- Modular For Block Construction
- Full Wall Thickness
- No Sills Required
- Complete Inside-Outside Trim
- Available for 2 or 3 blocks high
by 2 blocks wide.

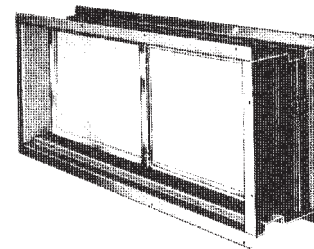
KEWANEE BUCK WINDOWS for Poured Concrete Walls

Interchangeable Open-in and Slide Vents

KEWANEE BASEMENT BUCK WINDOW With Glazed Aluminum Open-in Vent



BUF Frame shown with Aluminum Open-In Vent



BUF Frame shown with Aluminum Slide Vent

Kewanee Basement Buck Window
BUF Frame and Vent. Will accept either
a AOV Aluminum Open-In Vent or ASV
Aluminum Slide Vent.

Overall Dimensions

- BUF 12 - 34" x 15-7/8" - 8" Wall
- BUF 16 - 34" x 19-7/8" - 8" Wall
- BUF 20 - 34" x 23-7/8" - 8" Wall

