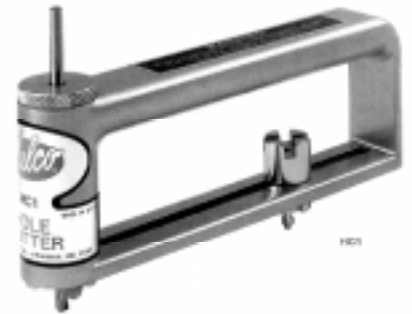


REPLACES ALL PREVIOUS PRICE LISTS

<u>Hole Saws</u>		<u>Each</u>
1081-550-0001	HC-1 Hole Cutter	\$49.54
Cuts up to 12" diameter holes in 20 Ga. sheet metal.		
1081-550-0002	Replacement Cutting Bit	\$12.50
1081-555-0001	HSK Hole In One Kit	\$209.61
Includes One Each of the following: 2-1/2", 2-1/4", 2", 1-3/4", 1-1/2", 1-3/8", 1-1/8", 7/8", and 3/4" Hole Saws Plus (4) HSB drills, (1) HSX extension arbor shank and (1) stubby driver. Replacement parts available.		
1081-552-0425	HSW68 Vent Hole Saw (Wood) - 4-1/4"	\$64.73
1081-552-0625	HSW97 Vent Hole Saw (Wood) - 6-1/4"	\$84.27
1081-552-8421	13" Driver Extension for above	\$19.41



DRILL SETS

1082-000-0600	FJ60S - 60 Piece - Jobber Length Wire Drills - #1 to #60 - With Drildex Container	86.50
1082-000-0100	FS10S - 10 Piece - Sheet Metal (Stub Length) Drills 1/16;5/64;3/32;7/64;1/8;9/64;5/32;3/16; 7/32;1/4 - In Plastic Pouch	16.41
1082-000-1525	FS1525 - 15 Piece - Sheet Metal (Stub Length) Drills 1/16 to 1/2 by 32nds - Drills over 1/4" Have 1/4" Shanks - In Plastic Pouch	73.45

ORIFICE DRILL SET

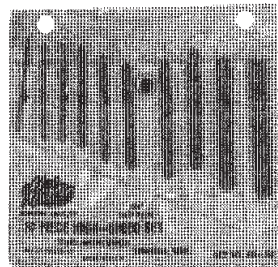
Wire gauge sizes for drilling or cleaning oil and gas orifices.  
Metal Drildex Container. Sizes 61 to 80. Includes Pin Vise.

1082-000-6180	FJ 6180	Dealer Net Price	43.40
---------------	---------	------------------	-------

**Jobber Drill Sets**

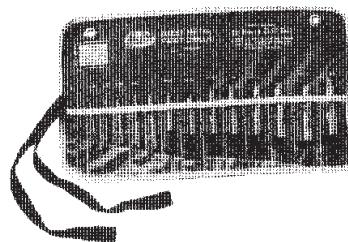
**Sheet Metal Drill Sets**

**10 PIECE SET**

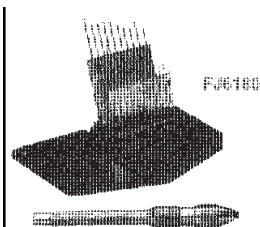


FS10S

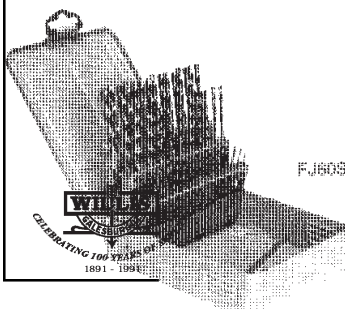
**15 PIECE SET**



FS1525



FJ6180



FJ60S

WILLIS STEEL CORPORATION  
CELEBRATING 100 YEARS OF  
1891 - 1991