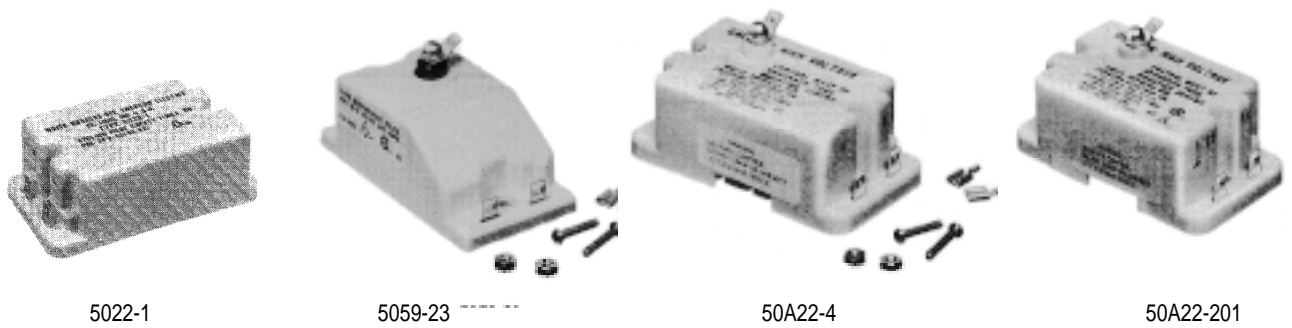
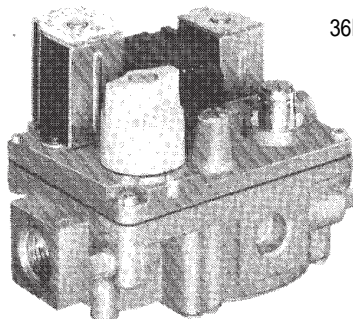


# WARM AIR HEATING CONTROLS



## Redundant Gas Valves For Cycle Pilot, Direct Spark & HSI

DESCRIPTION	Unit	Qty.	Price
36E86-302 W-R Nat. Gas Valve - 1/2 x 3/4 - Nat. Gas - Cycle Pilot Applications - F115-0087 Wiring Harness	Each	1	
36E36-304 W-R Nat. Gas Valve - 1/2 x 3/4 - Nat. Gas 3 - 1/4" Spade Terminals	Each	1	
36E01-204 - 1/2 x 1/2 - W-R Nat. Gas - HSI Valve 3 - 1/4" Spade Terminals	See Clare P/N V139		
36E01-211 - 1/2 x 1/2 - W-R L.P. Gas - HSI Valve 3 - 1/4" Spade Terminals	See Clare P/N V141		



36E36

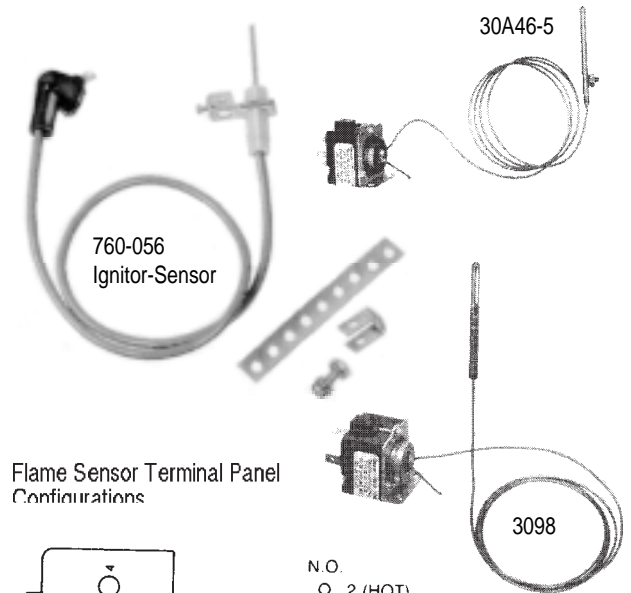
## WHITE-ROGERS GAS VALVE ACCESSORIES

F92-0659 LP Kit-36C84426 Valve	Each	1
F67-0918 Resistor - For Use With 36C Natural Gas Valves With 3098 Flame Sensor & 5059 Ignition	Each	1
F1150059 Wire Harn.-36C84Valve	Each	1
F1150064 Wire Harn.-36C84Valve	Each	1
F1150087 Wire Harn.- 36E Valve	Each	1

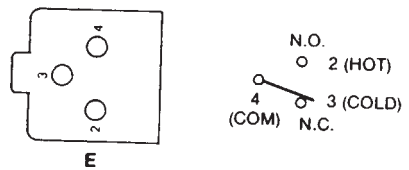
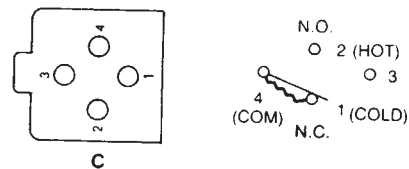
## WHITE-ROGERS SPARK IGNITION PARTS

Pilot Relite and Lockout Timers		
5022-1 Pilot Ign.Lockout Timer - For 5 Wire Edge Connector	Each	1
5059-23 WR Pilot Relight Control - RUUD P/N 62-21002-01	Each	1
50A22-3 WR Safety Pilot - 100% Shut Off - RUUD P/N 62-21159-01	Each	1
50A22-4 WR Comb.Relite & Timer - For 5 Wire Edge Connector	Each	1
50A22-201 Comb. Relite & Timer - For 5 Wire Edge Connector	Each	1
760-056 Ignition Electrode Assy.	Each	1
760-310 Ignition Electrode Assy.	Each	1

## WHITE RODGERS MERCURY FLAME SENSORS



Flame Sensor Terminal Panel Configurations



Flame Sensor Bulb Styles

